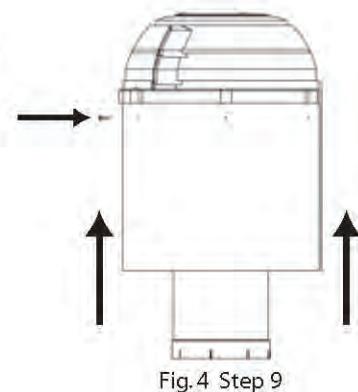
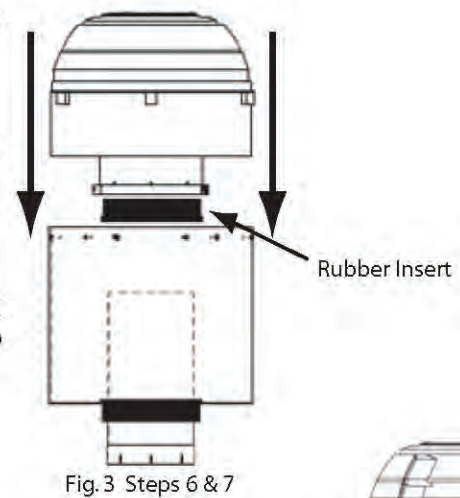
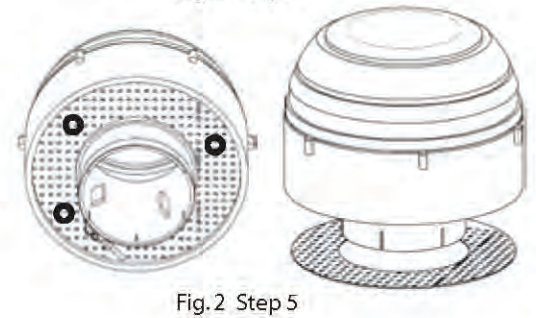
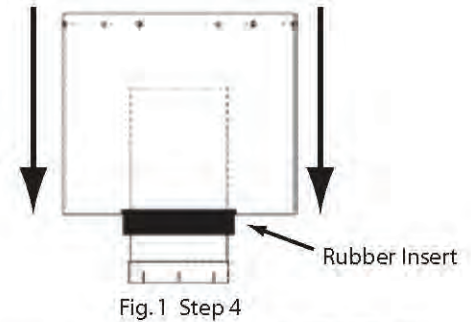


## Bulletin 203B

### Heavy Debris Screen Installation Instructions

1. The heavy debris screen assembly will be packaged either by itself with self-tapping screws or as part of a kit with an extension pipe, self tapping screws and two rubber-reducing inserts, depending on your machine configuration.
2. Remove ALL shipping materials from the screen or screen kit prior to installation
- 3a. To install heavy debris screen on an existing precleaner and extension pipe assembly, remove the precleaner. Then proceed to step four.
- or
- 3b. To install the heavy debris screen and a new extension pipe, install the extension pipe to the machine before proceeding to step four.
4. Slide the heavy debris screen, with the large open end facing up, over the extension pipe (Fig. 1). On 5" and 7" diameter extension pipes, slide the supplied rubber-reducing insert (with the lip facing up) on to the extension pipe. (The rubber-reducing insert will create a dust boot and vibration damper in the opening at the bottom of the heavy debris screen.)
5. Look at the bottom of the Series 9000 Precleaner and view the existing flat plastic mesh prescreen. Locate and cut the three (3) plastic spot ties (Fig. 2) and remove the plastic prescreen. You may retain this prescreen for future reuse. DO NOT leave the plastic prescreen installed when using the heavy debris screen.
6. For 5" and 7" extension pipes, slide the second rubber-reducing insert into the outlet of the Series 9000 Precleaner (Fig. 3) to adapt the inlet to fit the extension pipe.
7. Install the Series 9000 Precleaner on to the extension pipe and properly tighten the Precleaner clamp.
8. Slide the Heavy Debris Screen and rubber-reducing insert on 5" and 7" extension pipes up around the precleaner until the top edge of the heavy debris screen contacts the bottom of the precleaner dome mounting protrusions.
9. Secure the heavy debris screen to the precleaner using the supplied self-tapping screws (Fig.4).
10. Ensure all packing material is removed and that all clamps, screws and other attaching hardware are properly tightened prior to machine operation.



**WARNING! Do not attempt to install, remove, or inspect unit while engine is running. Do not insert objects into open areas while in operation.**