

Bulletin 301

Snow Removal Applications and the Series 9000™ Precleaners

Operating in snowy or rainy conditions is hard on an engine's air filter.

Incoming air, laden with snow or water particles, wets a filter's paper element. This weakens the element and makes it susceptible to tearing by the continuous force of incoming air. A torn filter can lead to serious equipment damage by allowing debris to pass directly into the engine.

The Sy-Klone Series 9000 Air Precleaners work particularly well in eliminating snow and rain from an engine's filter element, thus greatly increasing filter life.

In normal conditions, the Sy-Klone Series 9000 Air Precleaners will perform exceptionally well as manufactured. (However, under conditions such as plowing into large snowdrifts, it may be advisable to remove the plastic screen guard from the inlet vane of the Series 9000 Air Precleaner). This will help to prevent snow from clogging the precleaner or freezing over the plastic screen guard.

To Remove the Screen:

1. Turn off the engine.
2. Loosen the clamp that secures the precleaner to the engine's air intake pipe.
3. Turn precleaner upside down and remove the clamp from the precleaner throat. (Fig.1)
4. Cut off cable ties holding plastic screen guard in place. (Fig. 1) Then remove plastic screen guard (Fig. 2) using a flathead screwdriver.
5. Re-install the precleaner onto the engine's air inlet pipe.
6. The unit is now ready for heavy snow conditions.
7. The plastic screen guard should be retained for re-installation when operating under normal conditions.

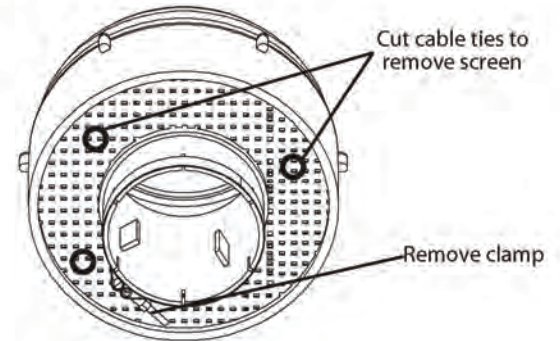
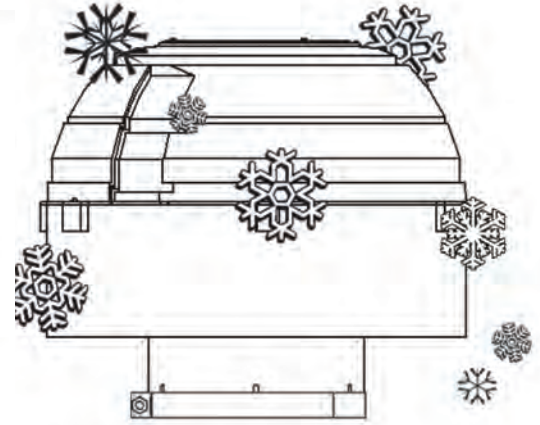


Fig. 1 Step 3 and 4

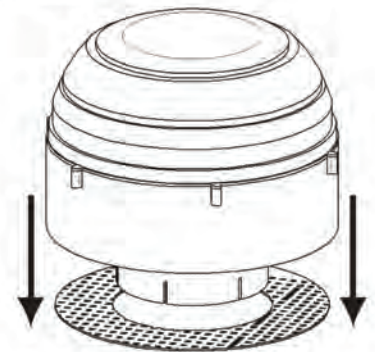


Fig. 2 Step 4

CAUTION: When handling wire mesh, Sy-Klone recommends wearing safety gloves. Do not attempt to install, remove, or inspect precleaner while engine is running. Do not insert objects into open areas while in operation.