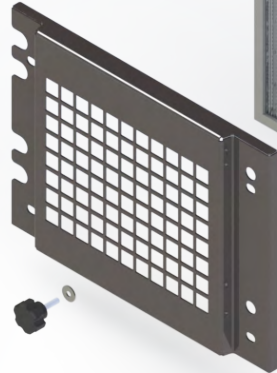
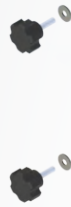


## UPGRADE HEAVY-EQUIPMENT HVAC RECIRCULATION FILTRATION

Greatly improve the air quality inside the operator cab with Sy-Klone's new high-efficiency air conditioning panel filters for recirculation. Combine with Sy-Klone's RESPA® fresh air quality system to achieve even better air quality.

Designed for specific make and model machines, each kit includes a high-efficiency panel filter and mounting hardware.



Grill



High-efficiency panel filter



Return-air backing plate



BEFORE



STEP 1

### ONE-TIME BRACKET INSTALLATION:

1. Remove factory HVAC recirculation filter, filter frame, and plastic guard. Discard or recycle.
2. Apply a suitable bonding agent, such as sealant, to back of new return-air backing plate and fix into place. Use masking tape to hold plate in place until sealant sets.
3. When sealant has set, remove masking tape and fit filter and grill in place using the supplied fasteners. Make sure foam side of panel filter rests againsts return-air backing plate. *See kit page for machine-specific installation diagram.*
4. Ensure all bolts are in place, completely secured, in order to prevent air from bypassing the filter.



AFTER

Done! In the future, only the filter needs to be changed.

## OEM EQUIPMENT FIT: CAT SMALL HAUL TRUCK MODEL: 773F

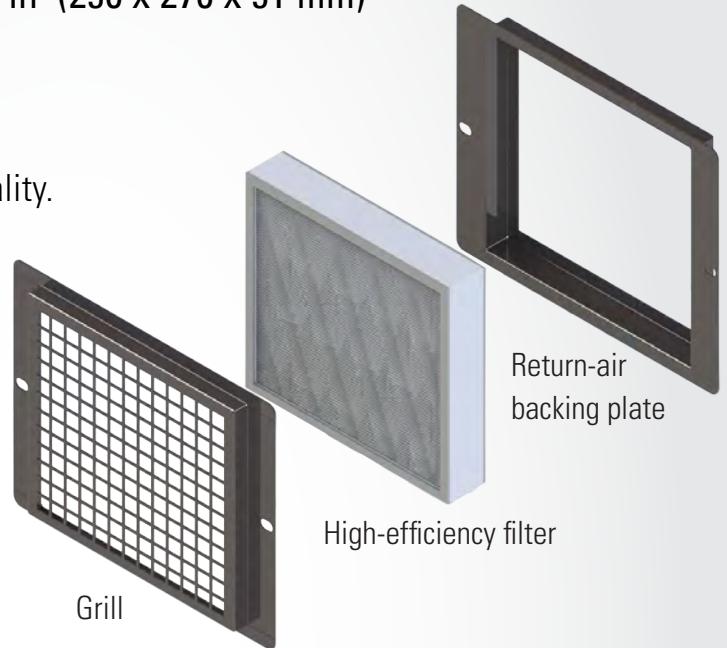
KIT CONTAINS ADAPTER(S) AND FILTER(S) REQUIRED FOR EACH MODEL

**REPLACEMENT FILTER PART NUMBER: PF002**

**FILTER DIMENSIONS: 9.8 x 10.6 x 2.0 in (250 x 270 x 51 mm)**

## FEATURES:

- Significantly higher efficiency than factory filter, providing improved air quality.
- When combined with RESPA® fresh air systems, provides superior fresh and recirculated cab air quality and reduces wear on HVAC system.



## KIT INCLUDES:

- Fasteners
- Grill
- PF002 high-efficiency filter
- Return-air backing plate

## ALSO NEEDED FOR INSTALLATION (NOT INCLUDED IN KIT):

- Sealant/bonding agent
- Masking tape
- Phillips screwdriver, hand tools

## KIT COMPONENTS



## COMPLETED INSTALLATION

