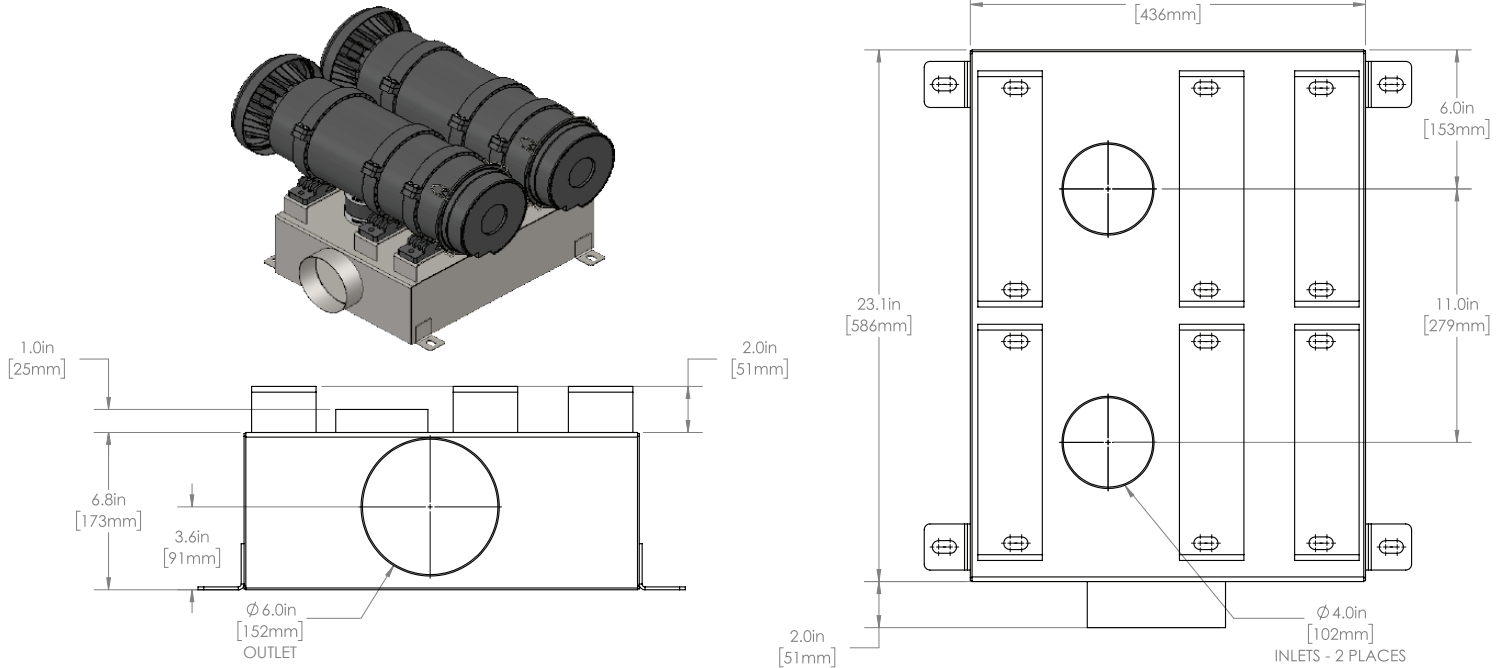


XLR™ Concepts for Multiple Unit Installations

Use one XLR unit per every 350 CFM (9.91 m³/min) of airflow required by your machine. Much higher airflows can be accommodated by using a plenum box for multiple unit installations. The illustrations below are concept installations. These parts are not for sale; however, **how to build instructions are available by request.**

Dual System Installation



Triple System Installation

